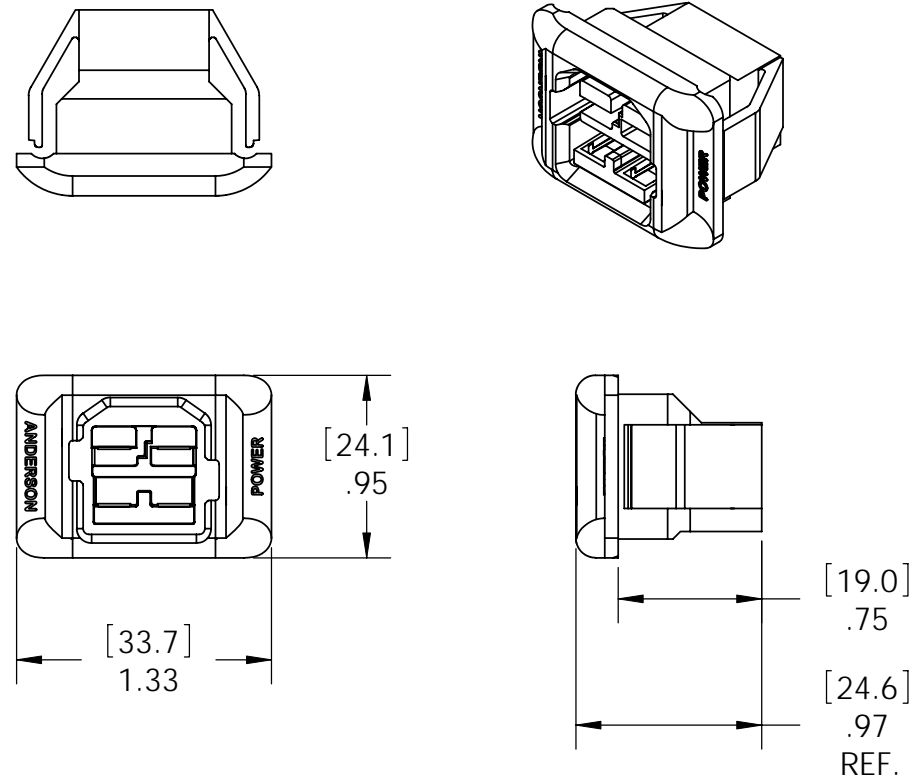


THE INFORMATION CONTAINED IN THIS DRAWING IS THE SOLE PROPERTY OF ANDERSON POWER PRODUCTS. ANY REPRODUCTION IN PART OR WHOLE WITHOUT THE WRITTEN PERMISSION OF ANDERSON POWER PRODUCTS IS PROHIBITED.

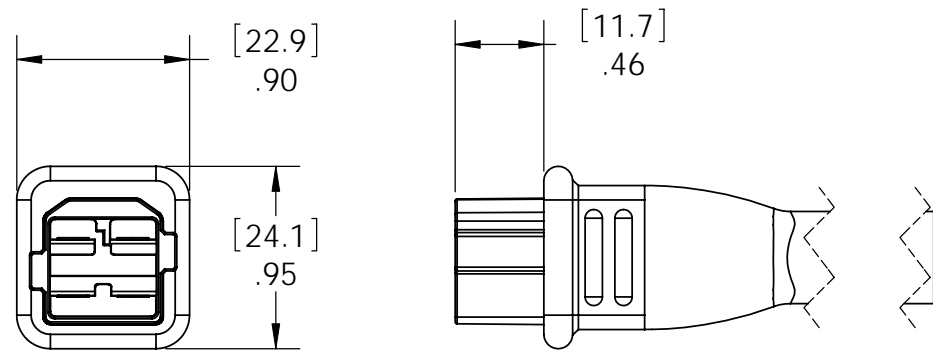
Copyright 2007

ANDERSON POWER PRODUCTS RESERVES THE RIGHT TO ALTER PRODUCT TYPES, THEIR TECHNICAL DATA, DIMENSION, STYLE AND ACCESSORIES WITHOUT PRIOR NOTIFICATION.

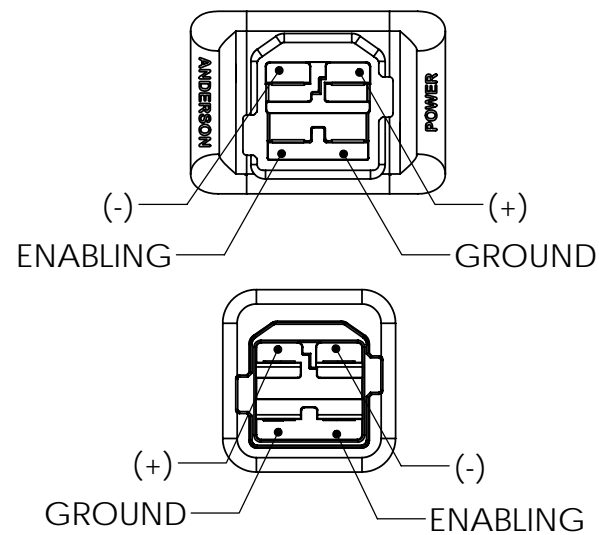
RECEPTACLE HALF



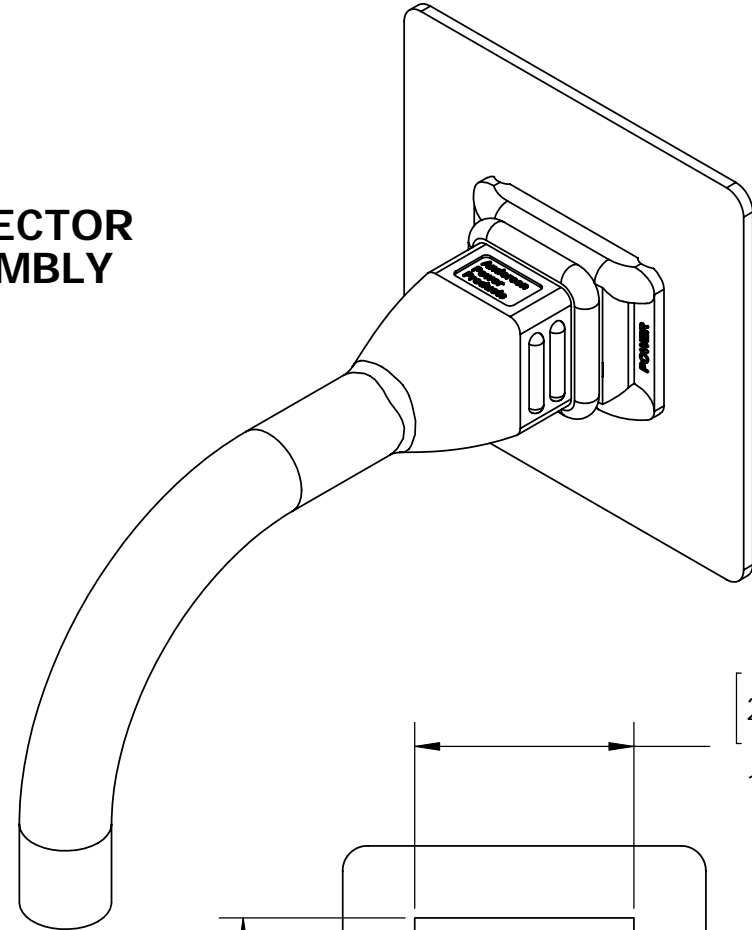
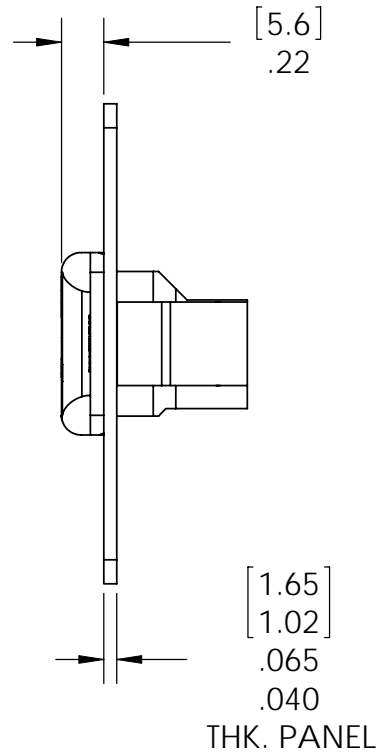
PLUG HALF



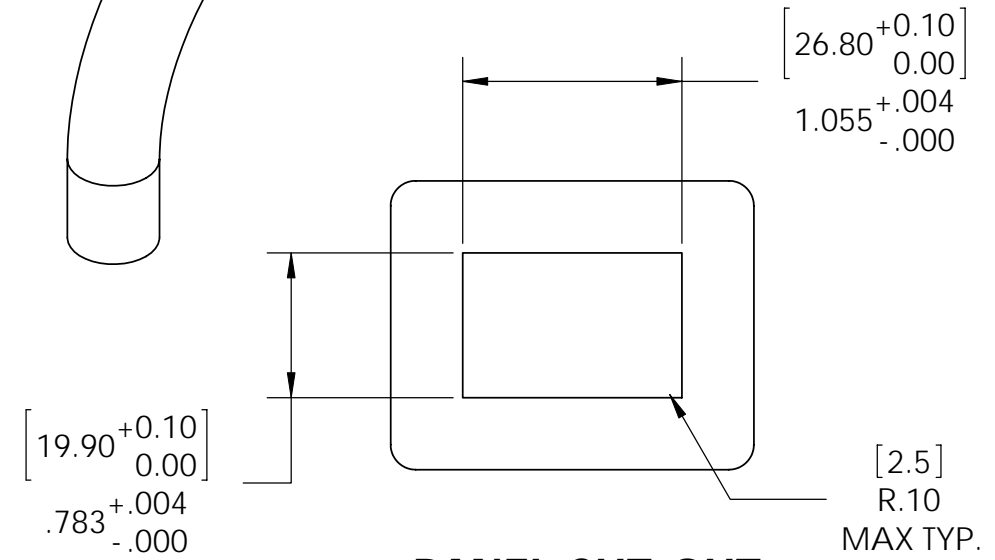
WIRING DIAGRAM



CONNECTOR ASSEMBLY

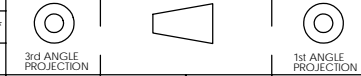


PANEL CUT-OUT



DIMENSIONS ARE IN: INCH[MM]		APPROVALS		ANDERSON POWER PRODUCTS
UNLESS OTHERWISE STATED		DRAWN	AMS 11/9/07	
TOLERANCES:		CHECKED	***	DC POWER CONNECTOR WITH GROUND & OPTIONAL ENABLING CIRCUIT - C14 SIZE
DECIMALS (INCH)	DECIMALS (MM)	ANGLES	MFG APP	
.XX ± .02	.X ± .5	± 2°	***	
SURFACE FINISH:		QC APP	***	SIZE B/A3
MACHINED	128 [3.2]	ENG APP	***	
MOLDED	64 [1.6]	***	***	DWG NO. B02048S1
MATERIAL: SEE B/M		SCALE NONE		REV. B
FINISH: SEE B/M		-CAD GENERATED DRAWING- DO NOT MANUALLY UPDATE DO NOT SCALE		CADFILE 02739
* REV.		*****		SHEET 1 OF 1
*****		*****		
DESCRIPTION OF CHANGES	APPROVED	DATE		

REV.	DESCRIPTION OF CHANGES	APPROVED	DATE
*	*****	***	*****



8 7 6 5 4 3 2 1

E

D

C

B

A

8 7 6 5 4 3 2 1